



Facebook

Four-hole rubber Ring

JT.1174.A.00- JT.1174.A.02

Product Information

General characteristics

General Definition

This rubber ring is use for mechanical parts to prevent leakage of liquid and gaseous media under dynamic or static conditions. In some cases, it can also be used as a dynamic seal for axial reciprocating motion and low-speed rotary motion components, and also important seals for oil Inlet switches

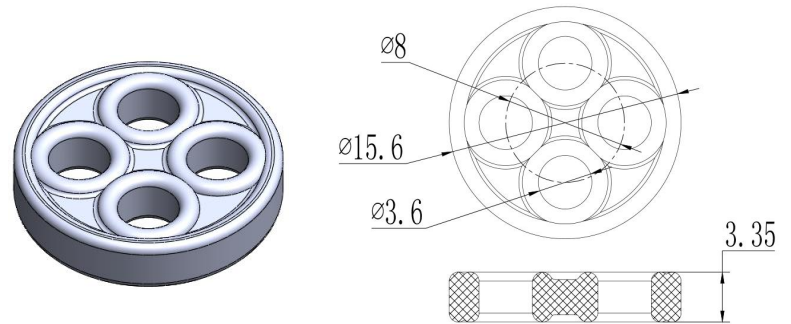
Principle

It is a kind of squeeze seal. The basic working principle of squeeze seal is to rely on the seal elastic deformation, causing contact pressure on the sealing contact surface, the contact pressure is greater than the sealed medium quality internal pressure, no leakage will occur, otherwise, a leak will occurs.

Description of Use

This product is suitable for being installed on a variety of machinery and equipment, and it can play a role of sealing under the static or moving state in the specified temperature, pressure, and different liquid and gas media. At the same time, it still plays a good role in sealing, rotating and opening in the environment resistant to oil, acid and alkali, and chemical attack.

Design and Assembly



Mounting Instructions

Put the four-hole rubber pad into the groove of the sealing device and compress, please contact us for Mounting instructions.

Available Product Numbers

Part Number	Material	Color	Availability
JT.1174.A.00	FKM	Customize	Sample & Lot
JT.1174.A.01	NBR	Customize	Sample & Lot
JT.1174.A.02	FVMQ	Customize	Sample & Lot

Contact:

sales-1@valvekingdom.com

website : www.valvekingdom.com

