



Facebook

## Six-hole dental gasket

JT.1176.A.00- JT.1176.A.02

## Product Information

### General characteristics

#### General Definition

This rubber ring is use for mechanical parts to prevent leakage of liquid and gaseous media under dynamic or static conditions. In some cases, it can also be used as a dynamic seal for axial reciprocating motion and low-speed rotary motion components, and also important seals for oil Inlet switches

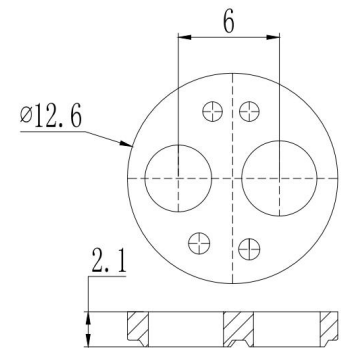
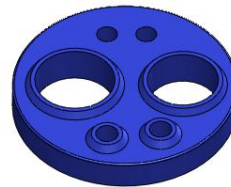
#### Principle

It is a kind of squeeze seal. The basic working principle of squeeze seal is to rely on the seal elastic deformation, causing contact pressure on the sealing contact surface, the contact pressure is greater than the sealed medium quality internal pressure, no leakage will occur, otherwise, a leak will occurs.

#### Description of Use

This product is suitable for auto clavable Dental Handpiece gasket parts.

### Design and Assembly



#### Mounting Instructions

Put the 6-hole rubber gasket into the dental Handpiece device and compress, please contact us for Mounting instructions.

### Available Product Numbers

Part Number	Material	Color	Availability
JT.1176.A.00	FKM	Custom	Sample & Lot
JT.1176.A.01	NBR	Custom	Sample & Lot
JT.1176.A.02	FVMQ	Custom	Sample & Lot

**Contact:**

sales-1@valvekingdom.com

website : [www.valvekingdom.com](http://www.valvekingdom.com)

