



Facebook

Carburetor Primer bulb CT.0004.00

Product Information

General characteristics

General Definition

This primer bulb is used to assist the carburetor pump oil before starting the engine. Pneumatic devices such as solenoid valves and cylinders have sliding parts. In order to ensure that these parts can work normally for a long time, they must be oiled or lubricated.

Working Principle

It is a compression-type product that supplies media to the required system through the cyclic action of compression and relaxation.

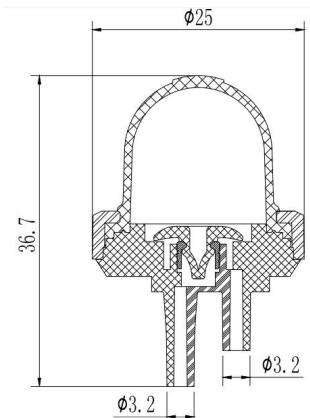
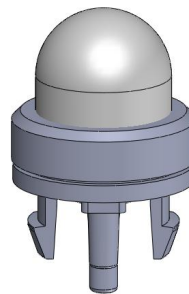
Description of Use

This product can be used in applications that require auxiliary engine oiling or lubrication

Design and Assembly

Feature

CT.0004 series design consists of oil cup, upper and lower body, copper parts and combination valve



Mounting Instructions

Install the clips on both sides of the lower body of the product into the device ,please contact us for mounting instructions

Available Product Numbers

Part Number	Material	Color	Availability
CT.0004.00	TPU+FVMQ+POM+Copper	Customize	Sample & Lot

Contact:

sales-1@valvekingdom.com

website : www.valvekingdom.com

