



Facebook

Anti Vibration Pad(Short type)

JT.1054.C.00

Product Information

General characteristics

General Definition

Used for mechanical parts, play the role of shock absorption, padding, sealing, cushioning, etc. In some cases, slow down the same frequency vibration when the engine is running, making the tool easier to grasp and use.

Working Principle

Composed of gaskets and rubbers, where the gaskets are resistant to compression, making the curled long-chain molecular structure and weak secondary forces existing between the molecules make the rubber material present. Shows unique viscoelastic properties, so it has good shock absorption, sound insulation and cushioning properties.

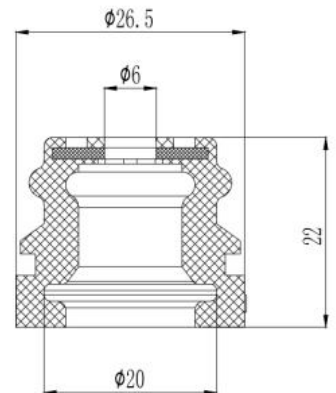
Description of Use

Oil resistance, long life, aging resistance, corrosion resistance, strong cushioning, UV resistance, can meet REACH, and other environmental requirements

Design and Assembly

Feature

JT1054 series shock absorbing pad composed of gasket and rubber



Mounting Instructions

This product is fixed with screws, which is safe and solid, please contact us for Mounting instructions

Available Product Numbers

Part Number
JT.1054.C.00

Material
NBR

Color
Customize

Availability
Sample & Lot

Contact:

sales-1@valvekingdom.com

website : www.valvekingdom.com

