



Facebook

Big Fuel cup

OT.1007.H.06

Product Information

General characteristics

General Definition

This oil cup is used to assist the carburetor to pump oil in mechanical parts. It also keeps the lubricating oil level in the bearing box constant under certain specific conditions

Working Principle

It is a compression-type product that supplies media to the required system through the cyclic action of compression and relaxation.

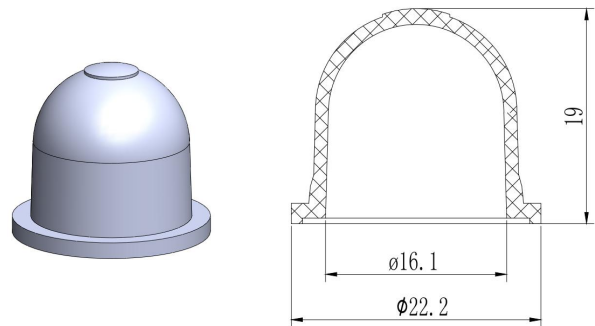
Description of Use

This product is suitable for mounting on a variety of machinery and equipment that need to be oiled

Design and Assembly

Feature

OT.1007 series is designed as a cylindrical thermoplastic elastomer



Mounting Instructions

Compress the brim of the product up and down ,please contact us for Mounting instructions

Available Product Numbers

Part Number
OT.1007.H.06

Material
TPU

Color
Customize

Availability
Sample & Lot

Contact:

sales-1@valvekingdom.com

website : www.valvekingdom.com

