



Facebook

## Primer Bulb Pump CT.0005.00-CT.0005.01

## Product Information

### General characteristics

#### General Definition

The product is used to assist the carburetor to feed oil in mechanical parts. It also keeps the lubricating oil level in the bearing box constant under certain specific conditions.

#### Working Principle

It is a compression type product that supplies the medium to the required system through the circulation of compression and relaxation.

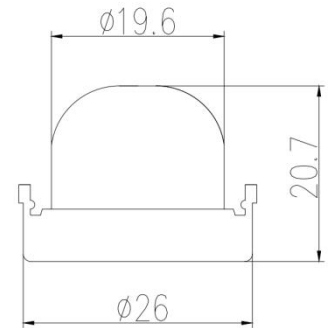
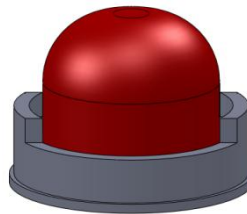
#### Description of Use

This product is suitable for a variety of machinery and equipment that need to be oiled

### Design and Assembly

#### Feature

The CT.0005 series design consists of a bowl-shaped rubber and plastic body.



#### Mounting Instructions

Insert the plastic body of the product into the card slot, please contact us for installation instructions

### Available Product Numbers

Part Number	Material	Color	Availability
CT.0005.00	EPDM+PA6	Custom	Sample & Lot
CT.0005.01	NBR+PA6	Custom	Sample & Lot

**Contact:**

sales-1@valvekingdom.com

website : [www.valvekingdom.com](http://www.valvekingdom.com)

