



Facebook

## Snowplow Primer Bulb

CT.0051.00-CT.0051.01

## Product Information

### General characteristics

#### General Definition

Snowplow Primer Bulb assembly is used to assist the carburetor to feed oil in mechanical parts. It also keeps the lubricating oil level in the bearing box constant under certain specific conditions.

#### Working Principle

It is a compression type product that supplies the medium to the required system through the circulation of compression and relaxation.

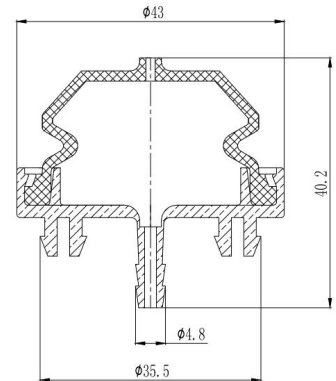
#### Description of Use

This product is suitable for a variety of machinery and equipment that need to be oiled

### Design and Assembly

#### Feature

The CT.0051 series design consists of a bowl-shaped rubber and plastic body.



#### Mounting Instructions

Install the clips on both sides of the lower body of the product into the device, please contact us for installation instructions

### Available Product Numbers

Part Number	Material	Color	Availability
CT.0051.00	EPDM+PA6	Customize	Sample & Lot
CT.0051.01	Special Rubber+PA6	Customize	Sample & Lot

#### Contact:

sales-1@valvekingdom.com

website : [www.valvekingdom.com](http://www.valvekingdom.com)

