



Facebook

Rhombus Primer bulb

CT.0003.00

Product Information

General characteristics

General Definition

This primer bulb is used to assist the carburetor pump oil before the engine starts. Pneumatic devices such as solenoid valves and air cylinders have sliding parts. In order to ensure that these parts can work normally for a long time, they must be oiled or lubricated.

Working Principle

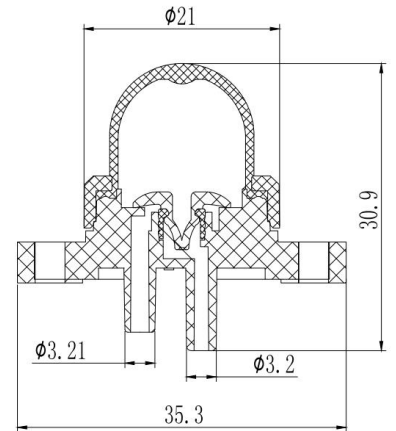
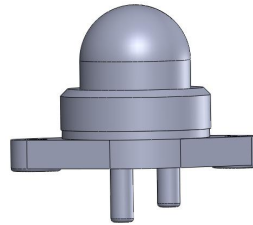
It is a compression type product that supplies the medium to the required system through the circulation of compression and relaxation.

Description of Use

This product can be used in applications that require auxiliary engine oiling or lubrication

Design and Assembly

Feature



Mounting Instructions

Fix the through holes on both sides of the product to the device with screws ,please contact us for mounting instructions

Available Product Numbers

Part Number	Material	Color	Availability
CT.0003.00	TPU+FVMQ+POM+Copper	Customize	Sample & Lot

Contact:

sales-1@valvekingdom.com

website : www.valvekingdom.com

